

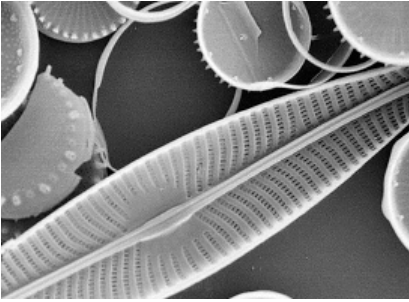
) david  
trubridge

panivola





# Navicula



Navicula is derived from nature, in this case from one of the many microscopic diatoms that float around in the world's oceans. The flowing, segmented form is shipped as flatpack and assembled on site with push-in nylon clips. The thin curved pieces of CNC-cut bamboo plywood create a flowing structure that also casts magical patterns. It is lit from within a row of LED pin-point lights, the light source is aimed upwards to create a soft ambient glow. There are three sizes.



# Features

## Partially assembled Kitset

Our kitset lightshades are on average 1/30th of the volume of the assembled light. This aims to help minimize the effects of shipping and to reduce the design's environmental footprint.

## Compliance

CE

AS/NZS

(Declarations of conformity available on request).

## Care Instructions

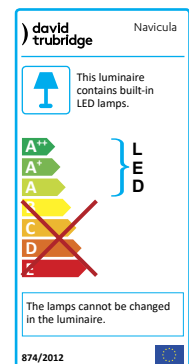
All wooden and/or polycarbonate lights are intended for use in dry interior conditions only and can be cleaned with a soft cloth or duster when the light is switched off. Do not use detergents.

## Warranty

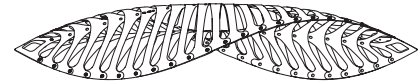
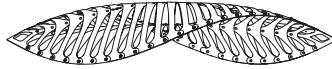
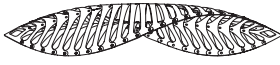
This light is warranted for three years from date of purchase for failure of parts.



5002970  
CONFORMS TO :  
UL STD 1598  
certified to CSA STD  
C22.2 No.250.0  
Canada / USA



# Technical Data



## Small

## Medium

## Large

	Small	Medium	Large	
Dimensions	<p>Width: 570mm / 22"</p> <p>Height: 200mm / 8"</p> <p>Length: 1440mm / 57"</p> <p>Weight: 2kg / 4lb</p>	<p>Width: 900mm / 35"</p> <p>Height: 380mm / 15"</p> <p>Length: 1950mm / 77"</p> <p>Weight: 3kg / 7lb</p>	<p>Width: 1000mm / 39"</p> <p>Height: 450mm / 18"</p> <p>Length: 2500mm / 98"</p> <p>Weight: 6kg / 14lb</p>	
Cordset	5m / 16.4ft	5m / 16.4ft	5m / 16.4ft	
Material	<p>Bamboo plywood</p> <p>(Sourced from FSC accredited factory)</p>	<p>Bamboo plywood</p> <p>(Sourced from FSC accredited factory)</p>	<p>Bamboo plywood</p> <p>(Sourced from FSC accredited factory)</p>	
Fasteners	Nylon	Nylon	Nylon	
Suspension	2 x 5m Suspension Wires	2 x 5m Suspension Wires	2 x 5m Suspension Wires	
Packaging	<p>(Partially assembled)</p> <p>1130mm x 750mm x 90mm</p> <p>44" x 30" x 4"</p> <p>0.076m<sup>3</sup> / 2.6839ft<sup>3</sup></p> <p>6kg / 13.22lb</p>	<p>(Partially assembled)</p> <p>1130mm x 750mm x 90mm</p> <p>44" x 30" x 4"</p> <p>0.076m<sup>3</sup> / 2.6839ft<sup>3</sup></p> <p>7kg / 15.43lb</p>	<p>(Partially assembled)</p> <p>1280mm x 925mm x 130mm</p> <p>50" x 36" x 5"</p> <p>0.154m<sup>3</sup> / 5.4384ft<sup>3</sup></p> <p>13kg / 28.66lb</p>	

# Finish Choices



## Bamboo

All bamboo (our primary material) is secondary product, from renewable forests in China grown as a food source. We have visited these plantations and are satisfied with the quality of their systems.



## Painted Lights

We use an acrylic low VOC (volatile organic compound) paint that is made in New Zealand. Colour swatches are available in all retailers. See the Resene website for more info. [www.resene.co.nz](http://www.resene.co.nz)



Bamboo



Aqua



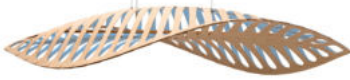
Lime



Red



Orange



Blue



Pink



Black 1 Side (Outside)



Black 1 Side (Inside)



Black 2 Sides



White 1 Side



White 2 Sides

## You will need

Fixings for cone gripper and canopy (fixing screws NOT SUPPLIED).

Note: Choose appropriate hardware to attach base plate (Fig.1) to ceiling substrate.

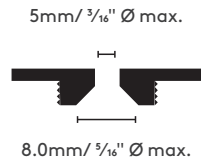
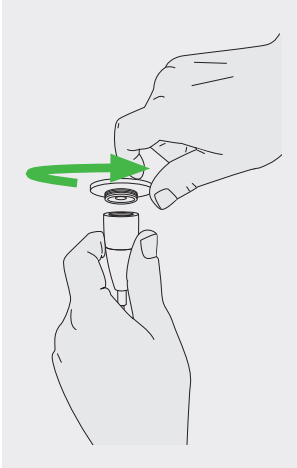


Fig 1. Base Plate

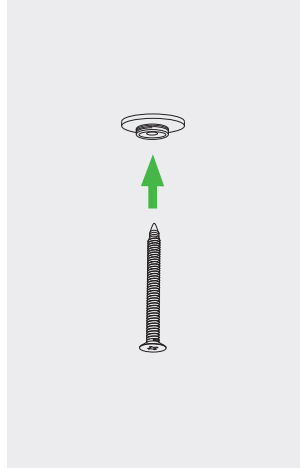
# Installation



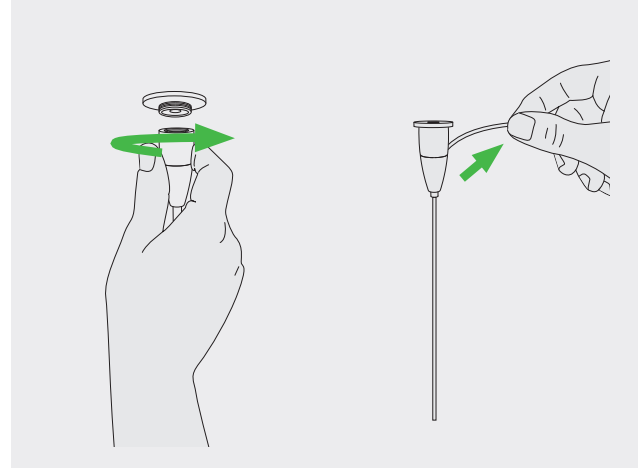
Fig 2. Canopy



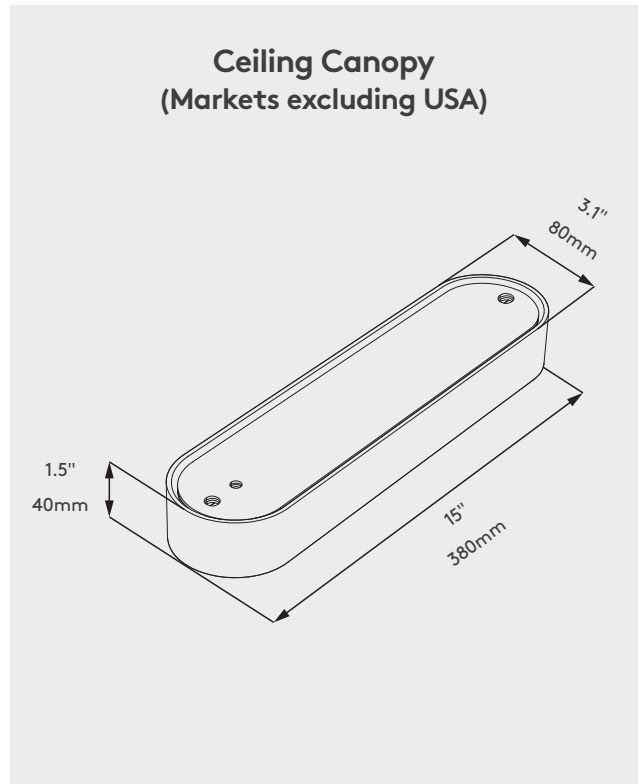
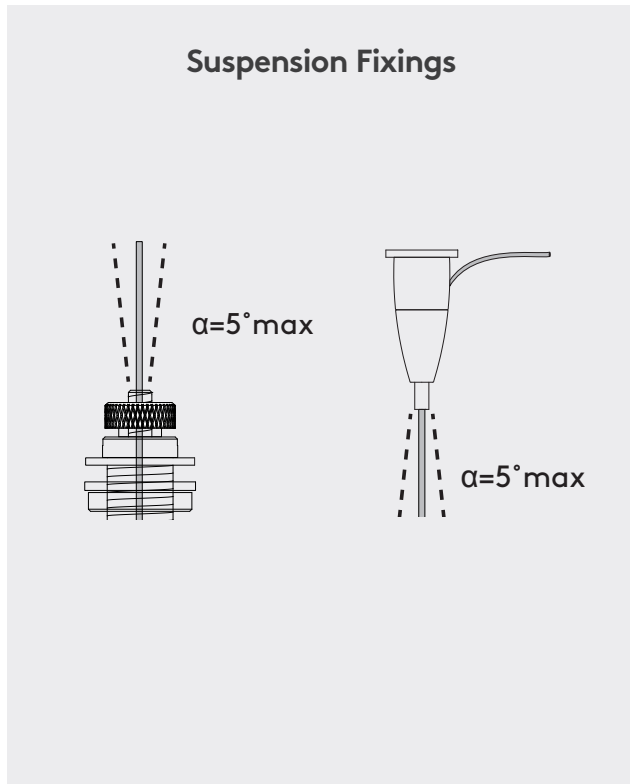
Step 1.  
Unscrew baseplate.



Step 2.  
Use appropriate fixing screw to mount base plate (Fig.1).



Step 3.  
Remove cable from cone. Screw cone back onto baseplate. Re-insert cable and level light. Once desired position is set, trim excess cable.



(Fig 2) Canopy



# Installation

## Driver/Transformer position option 1: Surface mounted ceiling canopy

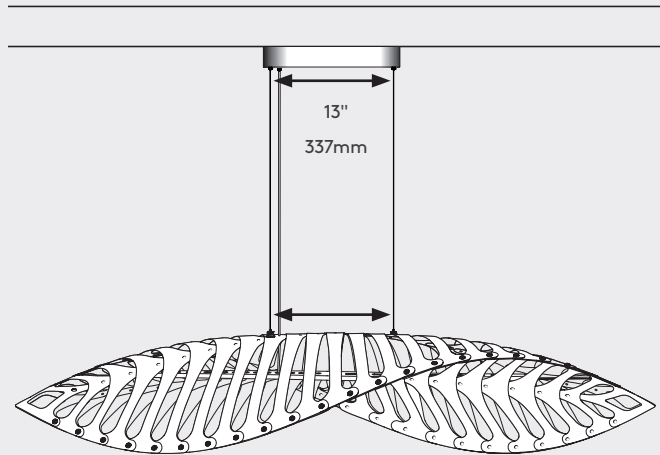
### Small

#### Electric details (Rest of the world)

LED LIGHT BAR  
Warm white LED Strip, 24VDC, 8W  
2700K

DRIVER / TRANSFORMER  
Tridonic, 220-240VAC, 50/60Hz  
\* Dimmable

CEILING CANOPY  
1kg / 2.2lb



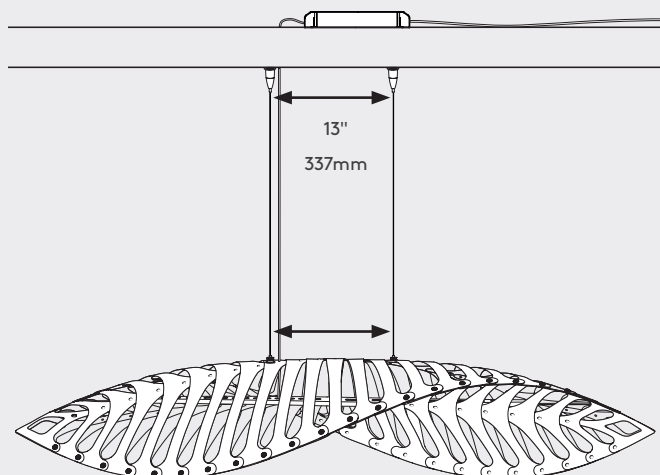
## Driver/Transformer position option 2: Remote location (not using canopy)

### Small

#### Electric details (Rest of the world)

LED LIGHT BAR  
Warm white LED Strip, 24VDC, 8W  
2700K

DRIVER / TRANSFORMER  
Tridonic, 220-240VAC, 50/60Hz  
\* Dimmable

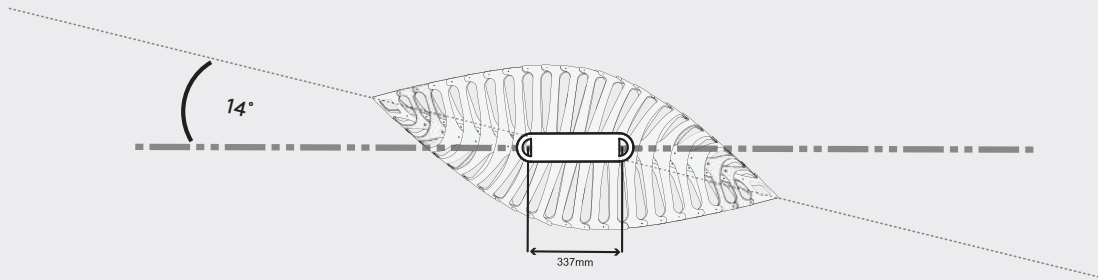


# Installation

Navicula naturally hangs at 14 degree difference to alignment of canopy.

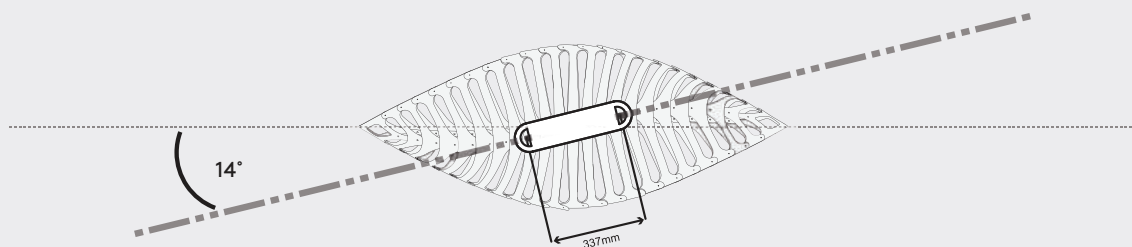
Small

a



To align canopy to an edge see diagram a.

b



To align Navicula to an edge see diagram b.

All line drawings are not to scale.

# Installation

## Driver/Transformer position option 1: Surface mounted ceiling canopy

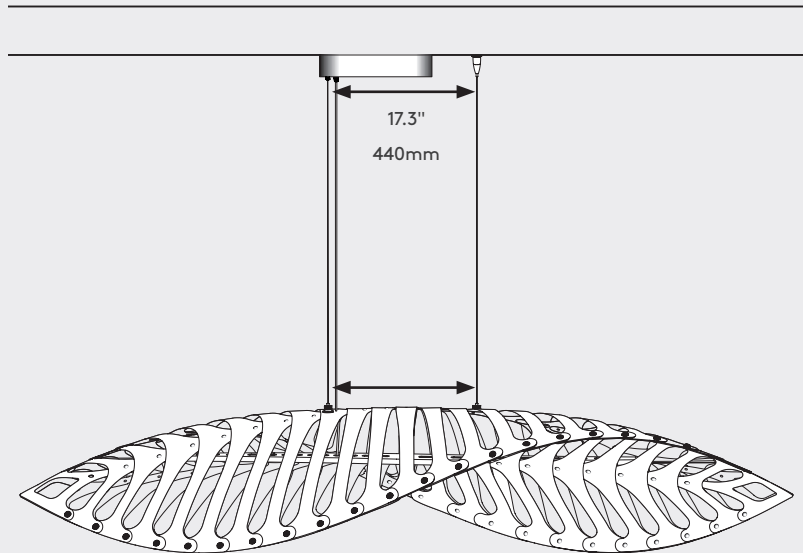
### Medium

#### Electric details (Rest of the world)

LED LIGHT BAR  
Warm white LED Strip, 24VDC, 11W  
2700K

DRIVER / TRANSFORMER  
Tridonic, 220-240VAC, 50/60Hz  
\* Dimmable

CEILING CANOPY  
1kg / 2.2lb



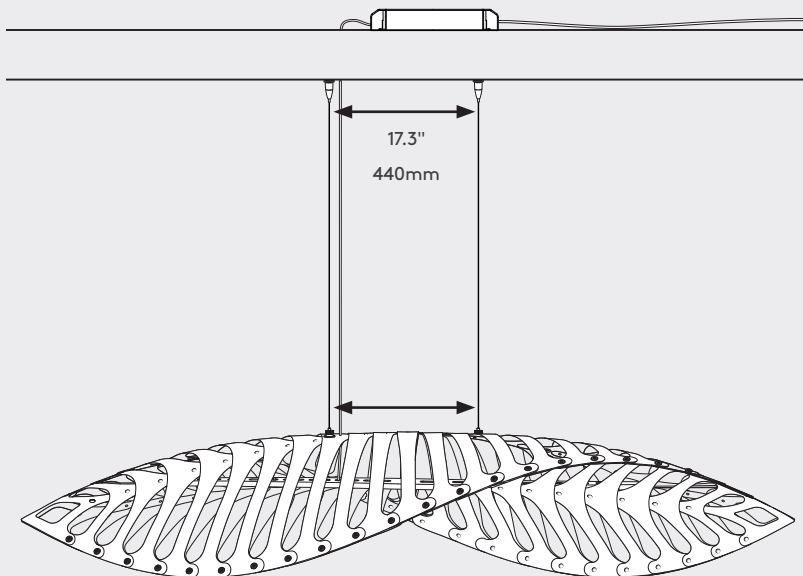
## Driver/Transformer position option 2: Remote location (not using canopy)

### Medium

#### Electric details (Rest of the world)

LED LIGHT BAR  
Warm white LED Strip, 24VDC, 11W  
2700K

DRIVER / TRANSFORMER  
Tridonic, 220-240VAC, 50/60Hz  
\* Dimmable

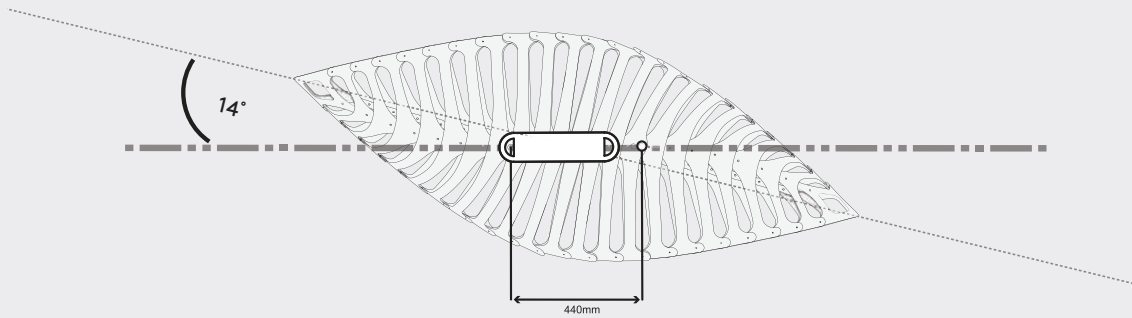


# Installation

Navicula naturally hangs at 14 degree difference to alignment of canopy.

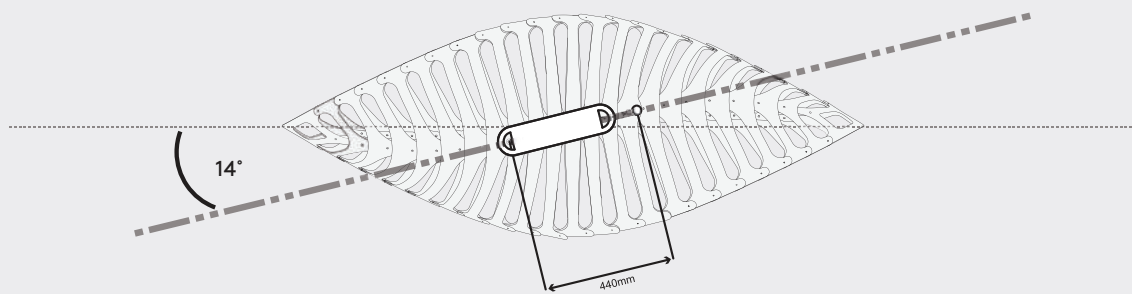
Medium

**a**



To align canopy to an edge see diagram a.

**b**



To align Navicula to an edge see diagram b.

All line drawings are not to scale.

# Installation

## Driver/Transformer position option 1: Surface mounted ceiling canopy

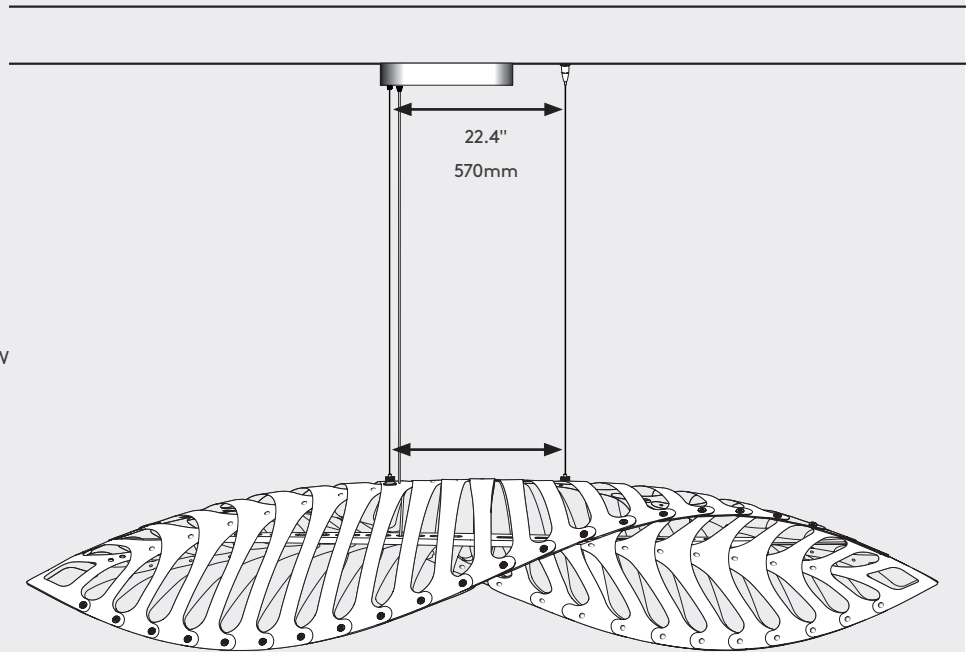
Large

### Electric details (Rest of the world)

LED LIGHT BAR  
Warm white LED Strip, 24VDC, 18W  
2700K

DRIVER / TRANSFORMER  
Tridonic, 220-240V, ac 50/60Hz  
\* Dimmable

CEILING CANOPY  
1kg / 2.2lb



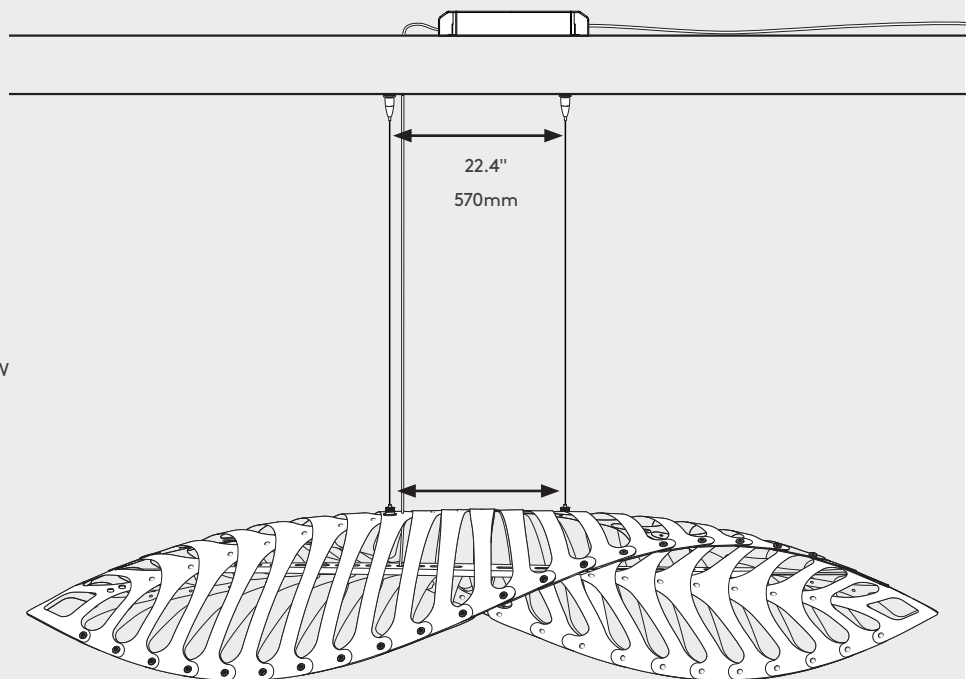
## Driver/Transformer position option 2: Remote location (not using canopy)

Large

### Electric details (Rest of the world)

LED LIGHT BAR  
Warm white LED Strip, 24VDC, 18W  
2700K

DRIVER / TRANSFORMER  
Tridonic, 220-240V, ac 50/60Hz  
\* Dimmable

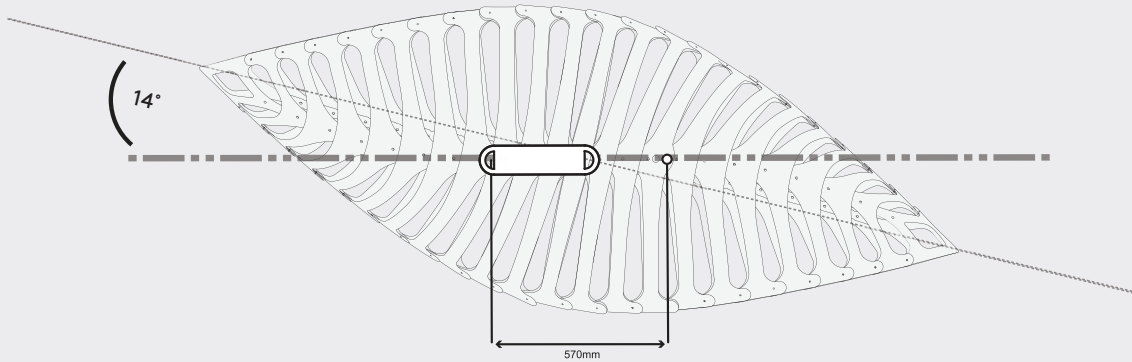


# Installation

Navicula naturally hangs at 14 degree difference to alignment of canopy.

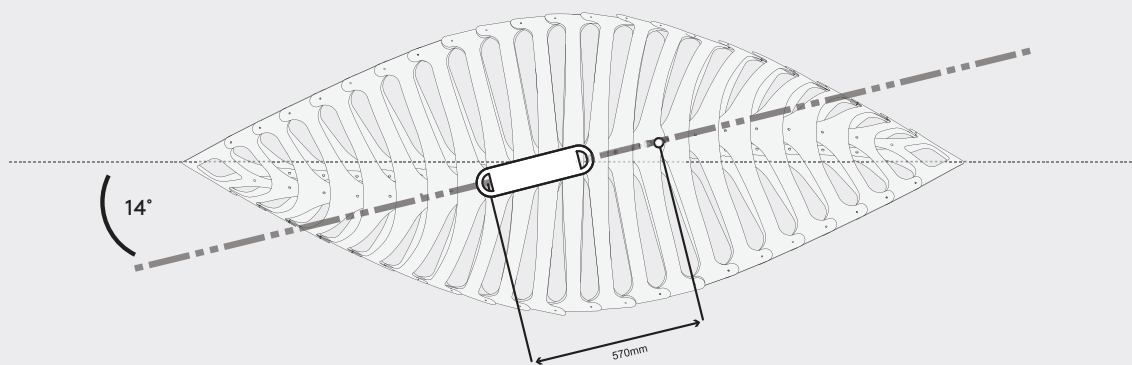
Large

a



To align canopy to an edge see diagram a.

b



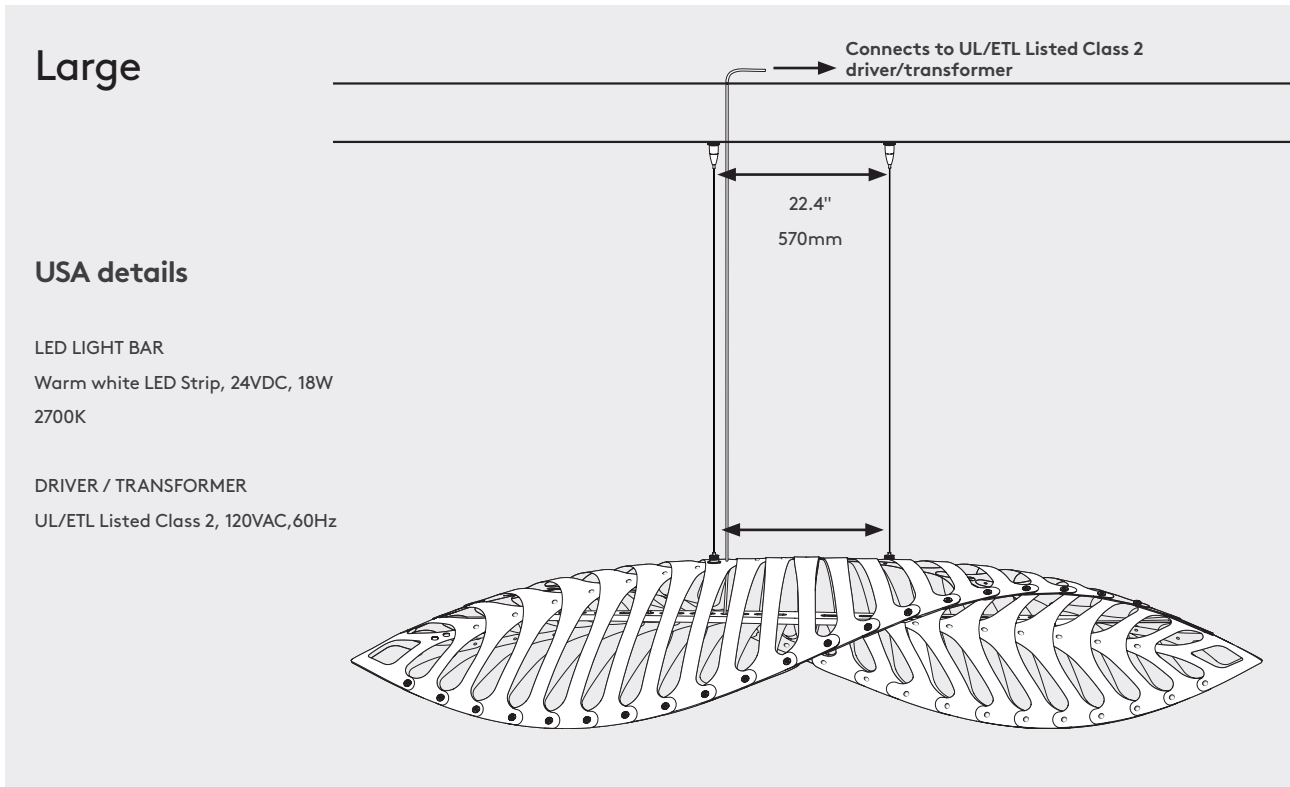
To align Navicula to an edge see diagram b.

All line drawings are not to scale.



# Installation (USA)

Driver/Transformer position: Remote location (not using canopy)



All line drawings are not to scale.

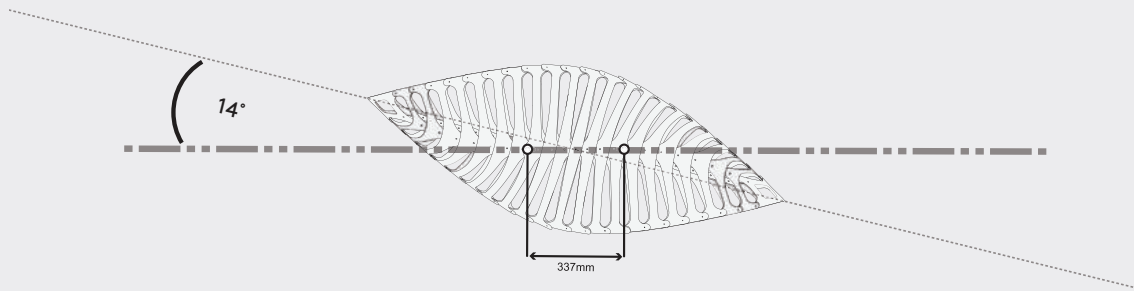
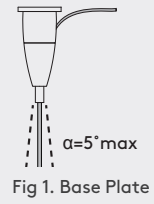


# Installation (USA)

Navicula naturally hangs at 14 degree difference to alignment of cone gripper.

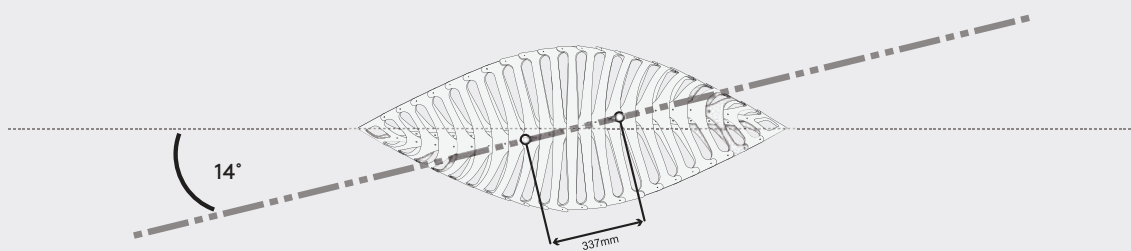
Small

a



To align cone gripper to an edge see diagram a.

b



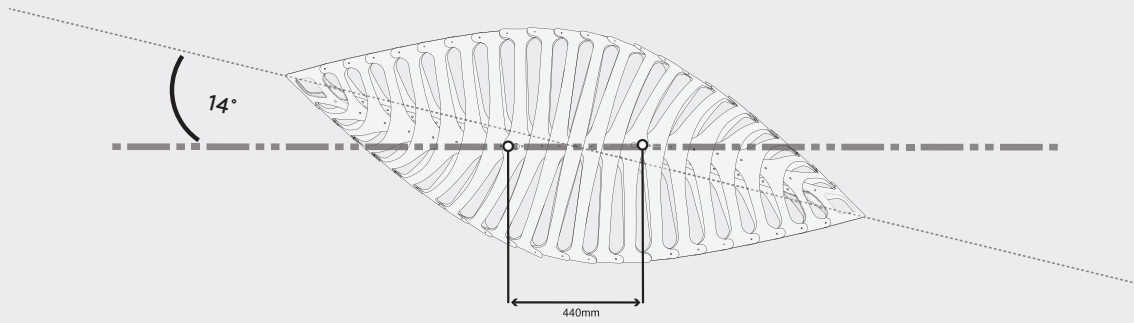
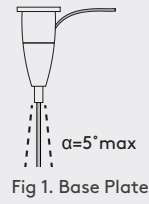
To align Navicula to an edge see diagram b.

# Installation (USA)

Navicula naturally hangs at 14 degree difference to alignment of cone gripper.

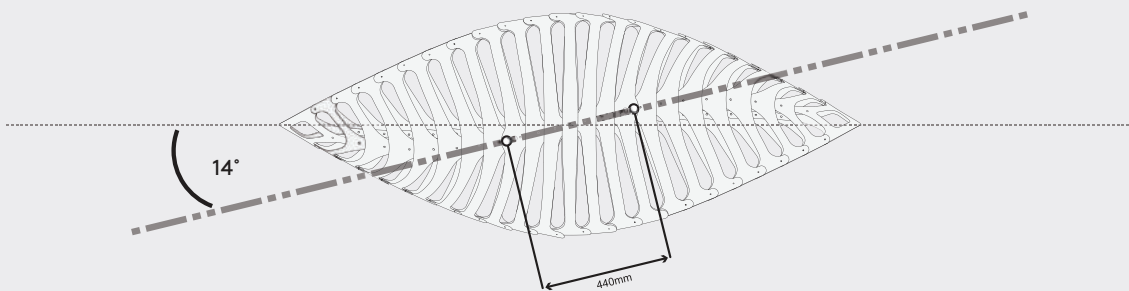
Medium

a



To align cone gripper to an edge see diagram a.

b



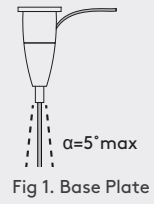
To align Navicula to an edge see diagram b.

All line drawings are not to scale.

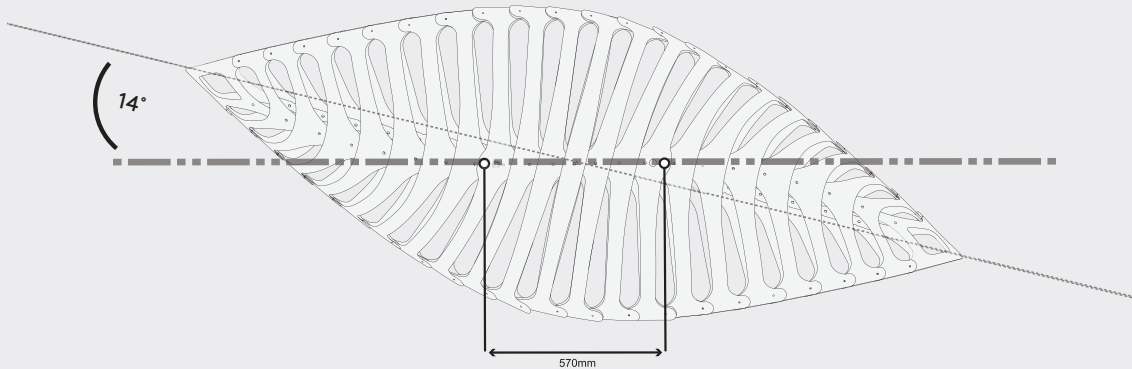
# Installation (USA)

Navicula naturally hangs at 14 degree difference to alignment of cone gripper.

Large

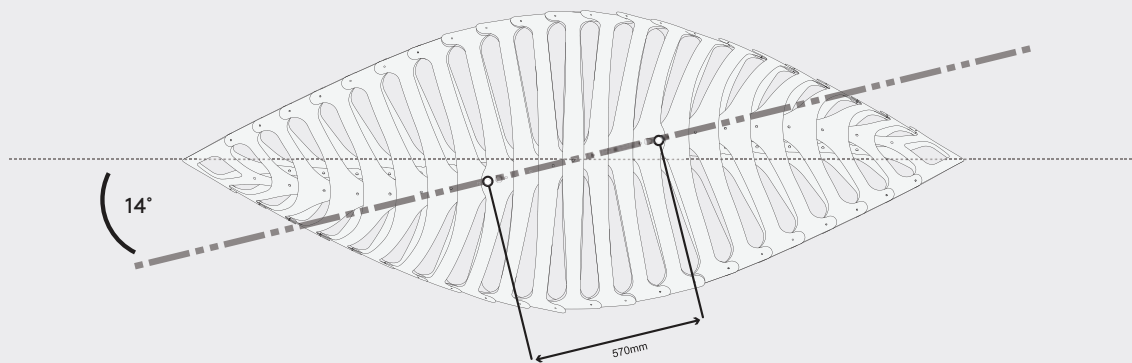


a



To align cone gripper to an edge see diagram a.

b



To align Navicula to an edge see diagram b.

All line drawings are not to scale.